

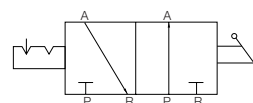
Series SH 2000 · 3000 · 4000 · 5000

Pressure Relief 3 port Valve with a locking tble



- When in the exhaust position, the valve may be padlock secured. Prevents accidental start-ups while personnel are cleaning or servicing equipment.
- Combination with a modular style FRL is possible.
- Easy to operate
- The direction of air flow can be verified at a glance by the orientation of the handle.
- The valve is compact yet provides a large flow capacity.

Symbol



How to Order

SH 2000 - **01**

1 Pressure Relief 3 port Valve (Shut-off Valve)

Blank : Rc(PT)
U : NPT

2 Body Size

2000	1/4
3000	3/8
4000	1/2
5000	1

3 Thread

Blank : Rc(PT)
G : Rc(PF)

4 Port size

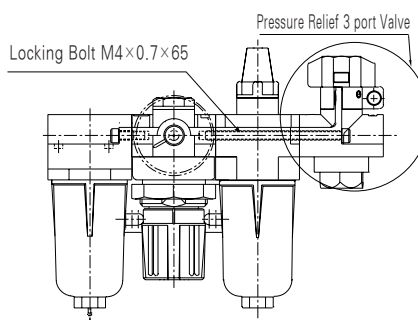
	2000	3000	4000	5000
01 : 1/8	0			
02 : 1/4	0	0		
03 : 3/8		0	0	
04 : 1/2			0	
06 : 3/4				0
10 : 1				0

Connector

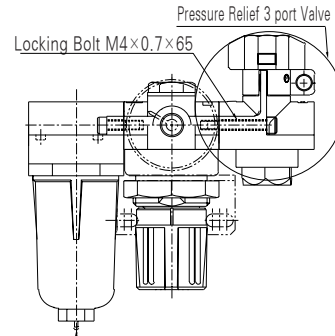
Bracket Format	Applied Type	Application F.R.L
Y20	SH2000	*PC2000~PC2020
Y30	SH3000	PC3000~PC3020
Y40	SH4000	PC4000~PC4020
-	SH5000	*PC5000~PC5020

※ Interface part is required if attached to a modular FRL. (Refer to the table below for the interface part number.)

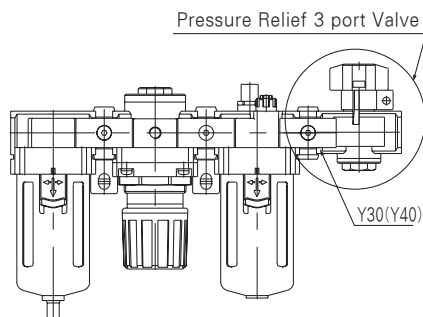
<PC2000>



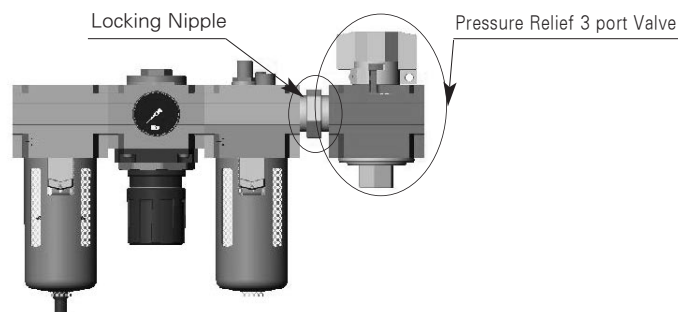
<PC2020>



<PC3000~PC3020(PC4000~PC4020)>



<PC5000>



※ Note : On (U)PC5010, (U)PC5020, (U)PR5000 & (U)PW5000, SH valve can be bolted upstream to the FRL Unit.

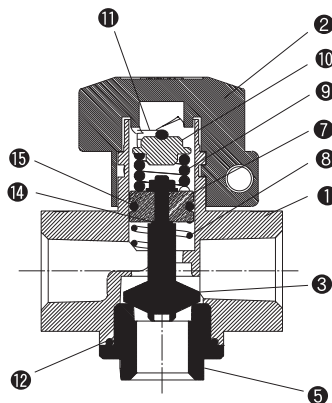
Specifications

Fluid	Air							
Operating Pressure Range	0.1~1.0MPa (14psi~145psi)							
Ambient and Fluid Temperature	5~60℃ (41~140°F)							
Handle Switching Angle	90℃(194°F)							
IN · OUT Port Body Size Rc(PT)/NPT)	SH2000		SH3000		SH4000		SH5000	
	1/8"	1/4"	1/4"	3/8"	3/8"	1/2"	3/4"	1"
Body Size (Rc(PT)/NPT)	1/8"		1/4"		3/8"		3/4"	
Effective Area(mm ²)(Cv)	10(0.59)	14(0.82)	20(1.17)	31(1.82)	38(2.23)	57(3.35)	120(7.1)	140(8.24)
Weight g (ozs)	210(7.41)		260(9.17)		380(13.4)		1000(35.273)	

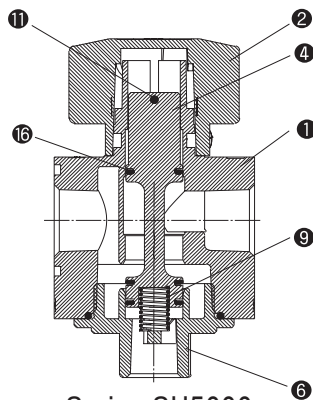
Model

Series	Port Size(Rc(PT)/NPT)	Padlock Mounting Position(Rc(PT)/NPT)
SH2000	1/8, 1/4	1/8
SH3000	1/4, 3/8	1/4
SH4000	3/8, 1/2	3/8
SH5000	3/4, 1	1/2

Construction



Series SH2000 · 3000 · 4000



Series SH5000

Component Parts

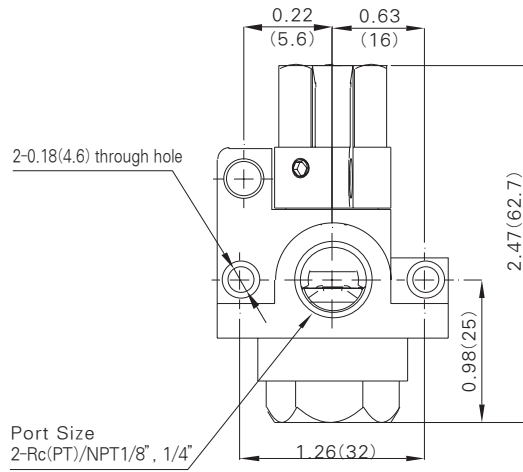
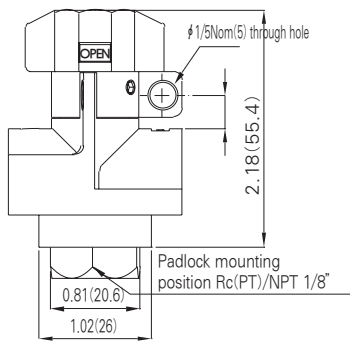
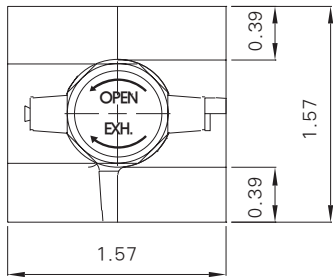
NO	Description	Material	Note
①	BODY	ABC	SH2000
②	HANDLE	Zinc alloy	Chromated
③	POPPET VALVE	-	
④	SPOOL	ADC12	Chromated
⑤	POPPET VALVE GUIDE	Zinc alloy	Chromated
⑥	SPOOL GUIDE	Zinc alloy	Chromated
⑦	PISTON	C3604	
⑧	POPPET VALVE SPRING	SWP	Chromated
⑨	SPRING	SWP	Chromated
⑩	SPRING HOLDER	SUM	
⑪	Parallel PIN	SUM	
⑫	POPPET VALVE GUIDE GASKET	NBR	
⑬	SPOOL GUIDE GASKET	NBR	
⑭	POPPET VALVE GASKET	NBR	
⑮	PISTON PACKING	NBR	
⑯	SPOOL PACKING	NBR	

Series SH

Dimensions

inch(mm)

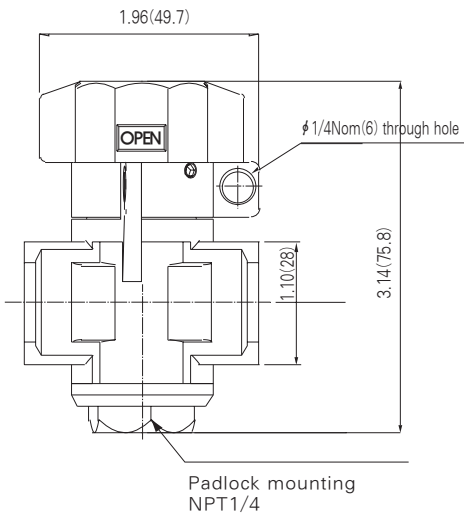
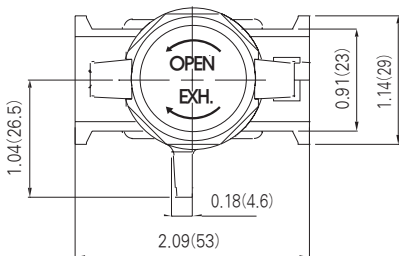
Series SH2000



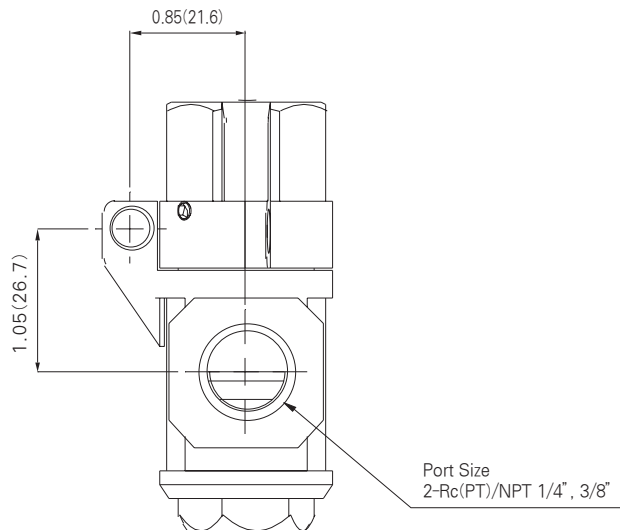
Port Size
2-Rc(PT)/NPT 1/8", 1/4"

Series SH3000

inch(mm)



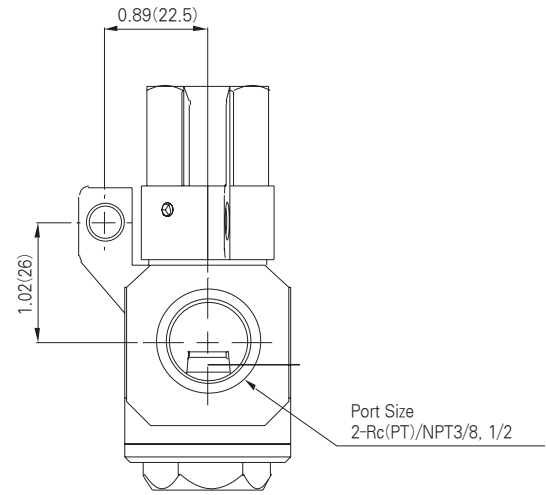
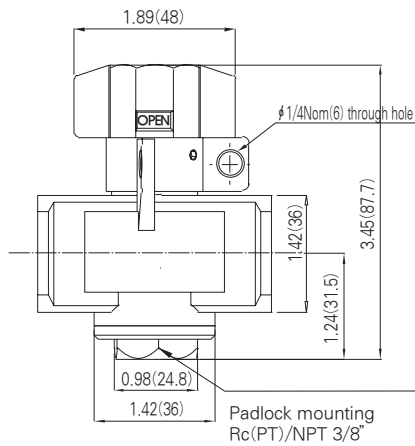
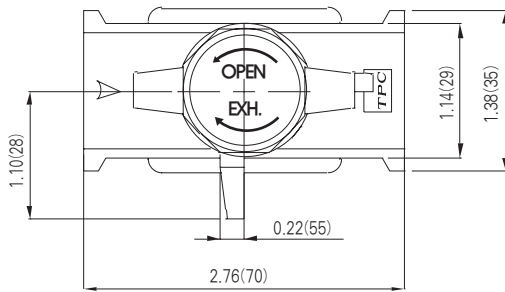
Padlock mounting
NPT 1/4



Dimensions

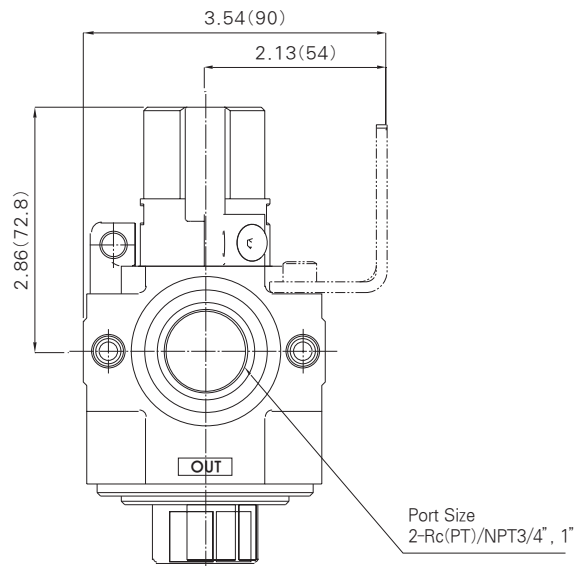
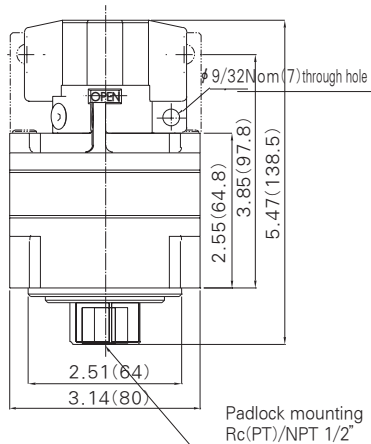
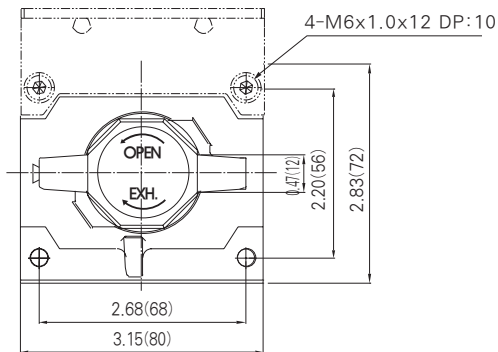
inch(mm)

Series SH4000



Series SH5000

inch(mm)



PC

PF

PFH
PFU

PR

PL

PW

SH

TDF

TAD

PER

EP

Precaution

Design

⚠ Warning

- ① When exhaust piping is connected to 3(R) port, effective area should be larger than the specified value mentioned in the table below. If it is smaller, air leakage will occur due to back pressure.

Model	Effective area (mm ²)
SH2000, 3000, 4000	5
SH5000	6

- ① Supply pressure only from 1(P) port for prevention of operating errors.
 ② Negative pressure is not applicable. It will cause malfunctions.

Selection

⚠ Caution

- ① Because an improper operation or an air leak could result if the handle is stopped in an intermediate position, make sure to operate the valve quickly, making sure that the switching has been properly effected.
 ② Do not remove the retaining screw of the handle. If the screw falls off, it could lead to a malfunction.

Piping

⚠ Warning

- ① The port marked with “▷” which means the entrance of compressed air is 1(P) port side (supply side) and the port on its opposite side is 2(A) port side (secondary side). The port on the right angled position is EXH side. Please pay attention to prevent any malfunction when connecting.
 ② In dusty ambient, silencer should be installed to 3(R) port.

Air Supply

⚠ Caution

- ① Mount an air filter to supply side close to the valve. Filtration rating has to be 5μm or smaller.